



Leaded Wiring Devices

15Amp and 20Amp Receptacles,
GFCI's, and Switches for
Fast and Easy Installation

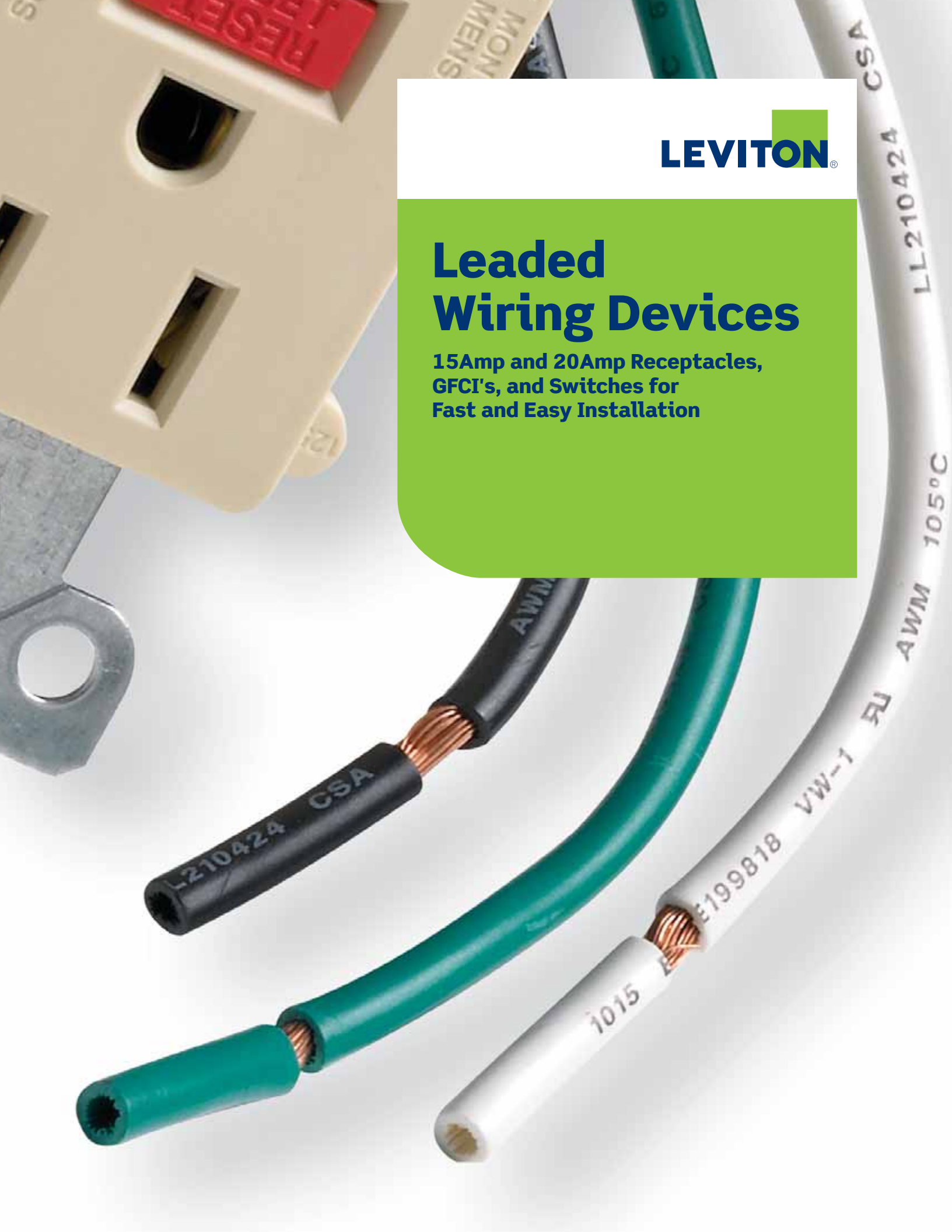


Table of Contents

LevSpec® and SpecClass® Straight Blade Leaded Receptacles and Toggle Switches

For Use in Commercial, Industrial and Institutional Applications

Leaded Receptacles

To make choosing a leaded 15A-125V or 20A-125V receptacle quick and easy, we offer them in the same standard grades and colors as traditional receptacles. They're ideal for commercial, industrial and hospital grade applications.

- **Industrial Grade Decora Plus™ Receptacles** Page 3
16252-L (15A) and 16352-L (20A); UL/CSA; Brown, Ivory, White, Gray, Black and Almond.
- **SpecClass® Commercial Grade Receptacles** Page 5
5040 (15A) and 5340 (20A); UL/CSA; Brown, Ivory, White, Gray and Almond.*
- **SpecClass® Commercial Grade Receptacles** Page 7
5262-L (15A) and 5362-L (20A); Meets UL Fed. Spec.; Brown, Ivory, Gray, Black, Red, White & Almond.*
- **LevSpec® Hospital Grade Receptacles** Page 9
8200-L (15A) and 8300-L (20A); Meets UL Fed. Spec Hospital Grade; Brown, Ivory, White, Gray, Black, Red and Almond.*
- **SmartLockPRO® GFCI Receptacles** Page 11
7599-L/7599L (15A) and 7899-L/7899L (20A); UL/CSA; Ivory and White.*

Features and Benefits:

- Offered in a wide choice of colors
- Constructed with impact-resistant thermoplastic cover and body
- #12 AWG THHN wire leads, 6" length
- Large, triple-wipe brass "T" contacts for superior contact pressure and outstanding conductivity †
- Dual drive pins for sturdy assembly †
- GFCI configurations for self-grounding MC cable

Leaded Toggle Switches

Leviton's leaded toggle switches are available in single-pole and 3-Way versions for use in 15 and 20 Amp branch circuits of 120/277 Volts. They are designed for commercial, industrial and institutional installations.

- **LevSpec® Industrial Grade Toggle AC Switches** Page 13
1241 (15A) and 1243 (20A) Single-Pole
1242 (15A) and 1244 (20) 3-Way;
Meets NEMA & UL/CSA; Ivory and White.

Features and Benefits:

- Offered in Ivory and White
- Constructed with an impact-resistant polycarbonate toggle
- Large silver contacts for long life
- #12 AWG THHN wire leads, 6" length
- Triple combination head steel mounting screws
- Heavy gauge steel mounting strap



LevSpec, SpecClass, Decora Plus™, and SmartLockPRO are trademarks of Leviton Manufacturing Co., Inc.

† Standard receptacles only

* See specification sheets for color availability

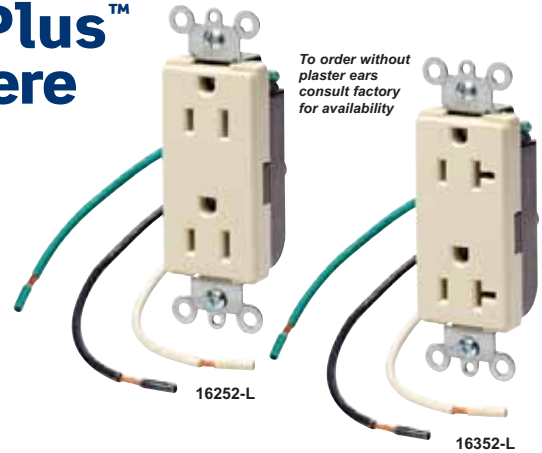
Industrial Grade Decora Plus™ Wire Lead 15 and 20 Ampere

**Straight Blade Receptacles
2-Pole, 3-Wire Grounding**

Cat. Nos.
16252-L, 16352-L

Application

In accordance with the NEC, these devices are suitable for use in all 15 or 20 Ampere branch circuits of 125 Volts in industrial installations where UL 498 standards of mechanical and electrical life are specified.



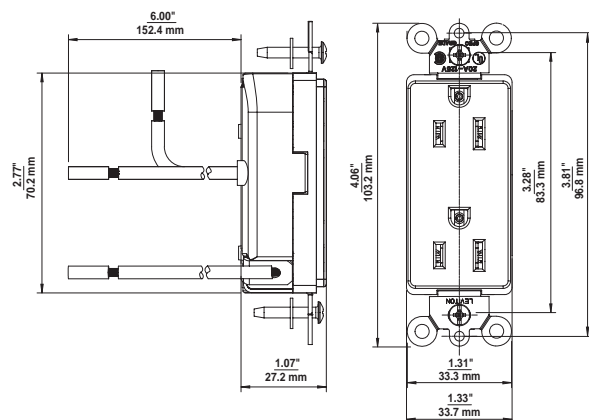
MATERIALS

Component	Material
Cover	Thermoplastic
Base	Thermoplastic
Mounting Strap	Steel multipiece with 2 drive pins
Power Contacts	Brass, triple wipe
Terminal Leads	6", #12 AWG THHN
Grounding Leads	6", #12 AWG THHN
Mounting Screws	Triple combination head, steel
Wiring	1 Hot Lead, 1 Neutral Lead, 1 Ground Lead
Certifications and Code Compliance	NEMA WD-1&6, UL 498, CSA C22.2 No. 42

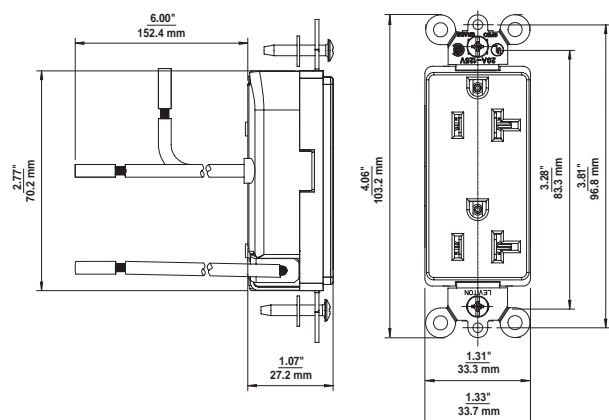
ORDERING INFORMATION

Description	Color	15A 125V, NEMA 5-15R	20A 125V, NEMA 5-20R
Decora Plus Duplex Receptacles	Brown	16252-L	16352-L
	Ivory	16252-LI	16352-LI
	White	16252-LW	16352-LW
	Gray	16252-LGY	16352-LGY
	Black	16252-LE	16352-LE
	Almond	16252-LA	16352-LA

**Cat. No. 16252-L
15 Amp 125 Volts**



**Cat. No. 16352-L
20 Amp 125 Volts**



Leviton Manufacturing Co, Inc.

59-25 Little Neck Pkwy, Little Neck, NY 11362-2591 Tech Line: 1-800-824-3005 Fax: 1-800-832-9538 www.leviton.com
© 2008 Leviton Manufacturing Co., Inc. All rights reserved. Subject to change without notice.

16252-L, 16352-L

SPECIFICATIONS

Straight Blade 15 and 20 Amp 2-pole, 3-wire grounding Decora Plus™ receptacles shall be Leviton Underwriters Laboratories Listed and CSA Certified with two drive pin assembly. Ratings and colors as scheduled on plan.

FEATURES AND BENEFITS

- Constructed with impact-resistant thermoplastic cover and body
- Dual drive pins for sturdy assembly
- Large, triple-wipe brass "T" contacts for superior contact pressure, outstanding conductivity
- #12 AWG THHN wire leads, 6" length
- Heavy gauge, locked-in wrap-around mounting strap
- Backed by a Limited 10-Year Warranty

**10 YEAR LIMITED
WARRANTY**

PERFORMANCE SPECIFICATIONS

Electrical	
Dielectric Voltage Withstand:	2000V minimum
Maximum Working Voltage:	125V as rated
Current Interrupting:	Certified for current interrupting at full-rated current
Temperature Rise:	Maximum 30°C temperature rise at full-rated current after 100 cycles of overload at 150% of rated current
Mechanical	
Lead Identification:	Leads identified in accordance with UL 498 (black, white & green)
Product Identification:	Ratings are a permanent part of device
Environmental	
Flammability:	Rated V2
Operating Temperature:	From -40°C (without impact) to 60°C maximum continuous
Testing and Code Compliance	The receptacles listed herein meet UL 498 Listing (UL file #E13399) and CSA C22.2 No. 42 Certification (CSA file #152105), and meet Mexican NOM standards. They meet or exceed NEMA WD 1 and 6, and ANSI standards. These receptacles are suitable for use in accordance with federal, state, county, municipal and local codes.

Decora Plus is a trademark of Leviton Manufacturing Co., Inc.

16252-L, 16352-L

Commercial Grade SpecClass® Wire Lead 15 and 20 Ampere

**Straight Blade Receptacles
2-Pole, 3-Wire Grounding**

Cat. Nos.
5040, 5340

Application

In accordance with the NEC, these devices are suitable for use in all 15 or 20 Ampere branch circuits of 125 Volts in commercial installations where UL 498 standards of mechanical and electrical life are specified.



*To order without
plaster ears
consult factory
for availability*

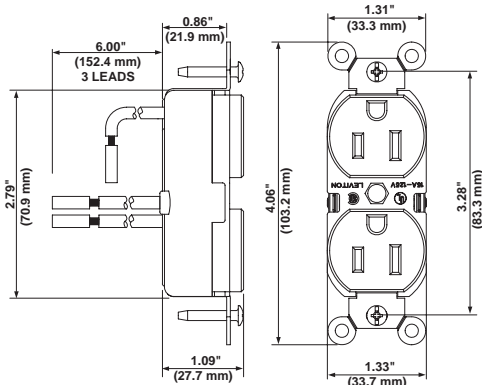
MATERIALS

Component	Material
Cover	Thermoplastic
Base	Thermoplastic
Mounting Strap	Steel multipiece with 2 drive pins
Power Contacts	Brass, triple wipe
Terminal Leads	6", #12 AWG THHN
Grounding Leads	6", #12 AWG THHN
Bushing	Die Cast
Mounting Screws	Triple combination head, steel
Wiring	1 Hot Lead, 1 Neutral Lead, 1 Ground Lead
Certifications and Code Compliance	NEMA WD-1&6, UL 498, CSA C22.2 No. 42

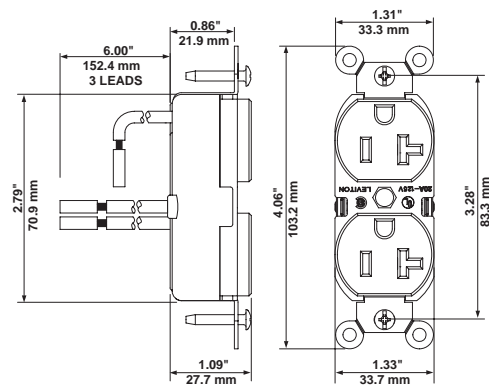
ORDERING INFORMATION

Description	Color	15A 125V, NEMA 5-15R	20A 125V, NEMA 5-20R
Duplex Receptacles	Brown	—	5340
	Ivory	5040-I	5340-I
	White	5040-W	5340-W
	Gray	—	5340-GY
	Almond	—	5340-A

**Cat. No. 5040
15 Amp 125 Volts**



**Cat. No. 5340
20 Amp 125 Volts**



SPECIFICATIONS

Straight Blade 15 and 20 Amp 2-pole, 3-wire grounding duplex receptacles shall be Leviton Underwriters Laboratories Listed and CSA Certified with two drive pin assembly and center bushing. Ratings and colors as scheduled on plan.

FEATURES AND BENEFITS

- Constructed with impact-resistant thermoplastic cover and body
- Dual drive pins and center bushing for sturdy assembly
- Large, triple-wipe brass “T” contacts for superior contact pressure, outstanding conductivity
- #12 AWG THHN wire leads, 6" length
- Heavy gauge, locked-in wrap-around mounting strap
- Backed by a Limited 10-Year Warranty



PERFORMANCE SPECIFICATIONS

Electrical	
Dielectric Voltage Withstand:	2000V minimum
Maximum Working Voltage:	125V as rated
Current Interrupting:	Certified for current interrupting at full-rated current
Temperature Rise:	Maximum 30°C temperature rise at full-rated current after 100 cycles of overload at 150% of rated current
Mechanical	
Lead Identification:	Leads identified in accordance with UL 498 (black, white & green)
Product Identification:	Ratings are a permanent part of device
Environmental	
Flammability:	Rated V2
Operating Temperature:	From -40°C (without impact) to 60°C maximum continuous
Testing and Code Compliance	The receptacles listed herein meet UL 498 Listing (UL file #E13399) and CSA C22.2 No. 42 Certification (CSA file #152105), and meet Mexican NOM standards. They meet or exceed NEMA WD 1 and 6, and ANSI standards. These receptacles are suitable for use in accordance with federal, state, county, municipal and local codes.

SpecClass is a trademark of Leviton Manufacturing Co., Inc.

5040, 5340



Commercial Grade SpecClass® Wire Lead 15 and 20 Ampere

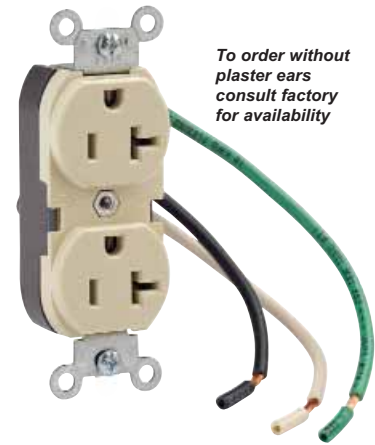
**Straight Blade Receptacles
2-Pole, 3-Wire Grounding**

Cat. Nos.

5262-L, 5362-L

Application

In accordance with the NEC, these devices are suitable for use in all 15 or 20 Ampere branch circuits of 125 Volts in commercial and industrial installations where UL Federal Specification WC-596 of mechanical and electrical life are specified.



To order without
plaster ears
consult factory
for availability

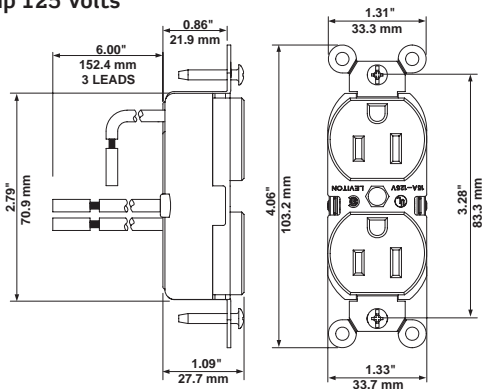
MATERIALS

Component	Material
Cover	Thermoplastic
Base	Thermoplastic
Mounting Strap	Steel multipiece with 2 drive pins
Power Contacts	Phosphor Bronze, triple wipe
Terminal Leads	6", #12 AWG THHN
Grounding Leads	6", #12 AWG THHN
Bushing	Die Cast
Mounting Screws	Triple combination head, steel
Wiring	1 Hot Lead, 1 Neutral Lead, 1 Ground Lead
Certifications and Code Compliance	NEMA WD-1&6, Fed. Spec. WC-596, UL 498, CSA C22.2 No. 42

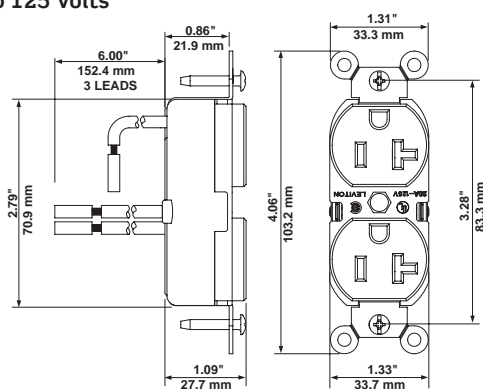
ORDERING INFORMATION

Description	Color	15A 125V, NEMA 5-15R	20A 125V, NEMA 5-20R
Duplex Receptacles	Brown	5262-L	5362-L
	Ivory	5262-LI	5362-LI
	White	5262-LW	5362-LW
	Gray	5262-LGY	5362-LGY
	Red	5262-LR	5362-LR
	Almond	5262-LA	5362-LA
	Light Almond	—	5362-LT
	Black	5262-LE	5362-LE

**Cat. No. 5262-L
15 Amp 125 Volts**



**Cat. No. 5362-L
20 Amp 125 Volts**



Leviton Manufacturing Co, Inc.

59-25 Little Neck Pkwy, Little Neck, NY 11362-2591 Tech Line: 1-800-824-3005 Fax: 1-800-832-9538 www.leviton.com
 © 2008 Leviton Manufacturing Co., Inc. All rights reserved. Subject to change without notice.

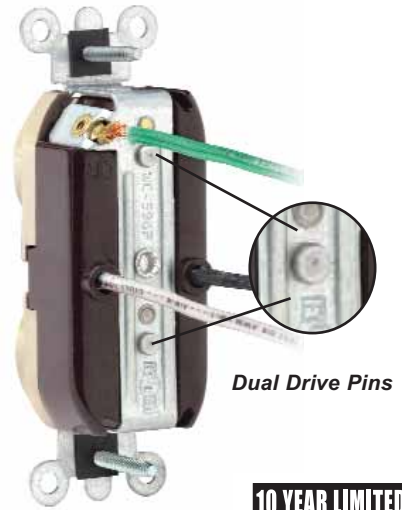
5262-L, 5362-L

SPECIFICATIONS

Straight Blade 15 and 20 Amp 2-pole, 3-wire grounding duplex receptacles shall be Leviton Underwriters Laboratories Listed, UL Federal Specification WC-596 and CSA Certified with two drive pin assembly and center bushing. Ratings and colors as scheduled on plan.

FEATURES AND BENEFITS

- Constructed with impact-resistant thermoplastic cover and body
- Dual drive pins and center bushing for sturdy assembly
- Large, triple-wipe brass “T” contacts for superior contact pressure, outstanding conductivity
- #12 AWG THHN wire leads, 6" length
- Heavy gauge, locked-in wrap-around mounting strap
- Backed by a Limited 10-Year Warranty



Dual Drive Pins

10 YEAR LIMITED WARRANTY

PERFORMANCE SPECIFICATIONS

Electrical	
Dielectric Voltage Withstand:	2000V minimum
Maximum Working Voltage:	125V as rated
Current Interrupting:	Certified for current interrupting at full-rated current
Temperature Rise:	Maximum 30°C temperature rise at full-rated current after 250 cycles of overload at 200% of rated current
Mechanical	
Lead Identification:	Leads identified in accordance with UL 498 (black, white & green)
Product Identification:	Ratings are a permanent part of device
Environmental	
Flammability:	Rated V2
Operating Temperature:	From -40°C (without impact) to 60°C maximum continuous
Testing and Code Compliance	
The receptacles listed herein meet UL 498 Listing (UL file #E13399), UL Fed. Spec. WC-596 and CSA C22.2 No. 42 Certification (CSA file #152105), and meet Mexican NOM standards. They meet or exceed NEMA WD 1 and 6, and ANSI standards. These receptacles are suitable for use in accordance with federal, state, county, municipal and local codes.	

SpecClass is a trademark of Leviton Manufacturing Co., Inc.

5262-L, 5362-L

Hospital Grade LevSpec® Wire Lead 15 and 20 Ampere

**Straight Blade Receptacles
2-Pole, 3-Wire Grounding**

Cat. Nos.

8200-L, 8300-L

Application

In accordance with the NEC, these devices are suitable for use in all 15 or 20 Ampere branch circuits of 125 Volts in commercial, industrial and institutional installations where UL Federal Specification WC-596 and UL 498 HG standards of mechanical and electrical life are specified.



*To order without
plaster ears
consult factory
for Availability*

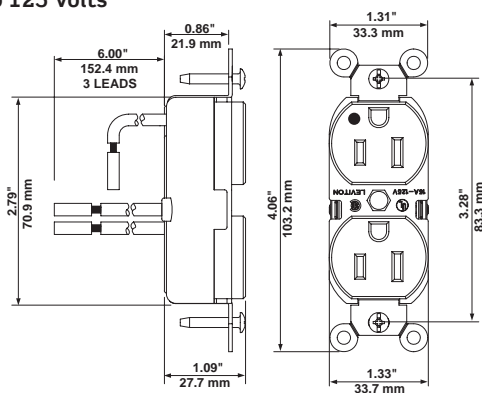
MATERIALS

Component	Material
Cover	Thermoplastic
Base	Thermoplastic
Mounting Strap	Steel multipiece with 2 drive pins
Power Contacts	Phosphor Bronze
Terminal Leads	6", #12 AWG THHN
Grounding Leads	6", #12 AWG THHN
Bushing	Die Cast
Mounting Screws	Triple combination head, steel
Wiring	1 Hot Lead, 1 Neutral Lead, 1 Ground Lead
Certifications and Code Compliance	NEMA WD-1&6, Fed. Spec. WC-596, UL 498 HG, CSA C22.2 No. 42, NOM 057

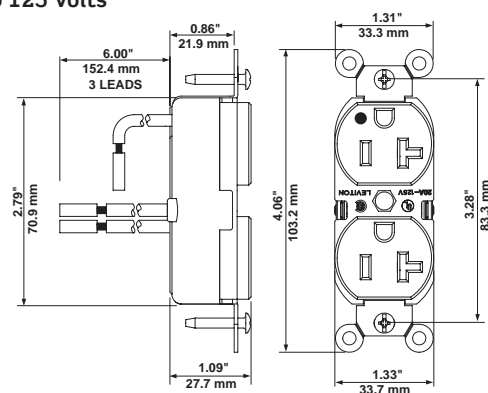
ORDERING INFORMATION

Description	Color	15A 125V, NEMA 5-15R	20A 125V, NEMA 5-20R
Duplex Receptacles	Brown	8200-L	8300-L
	Ivory	8200-LI	8300-LI
	White	8200-LW	8300-LW
	Gray	8200-LGY	8300-LGY
	Red	8200-LR	8300-LR
	Almond	—	8300-LA
	Black	—	8300-LE

**Cat. No. 8200-L
15 Amp 125 Volts**



**Cat. No. 8300-L
20 Amp 125 Volts**



Leviton Manufacturing Co, Inc.

59-25 Little Neck Pkwy, Little Neck, NY 11362-2591 Tech Line: 1-800-824-3005 Fax: 1-800-832-9538 www.leviton.com
© 2008 Leviton Manufacturing Co., Inc. All rights reserved. Subject to change without notice.

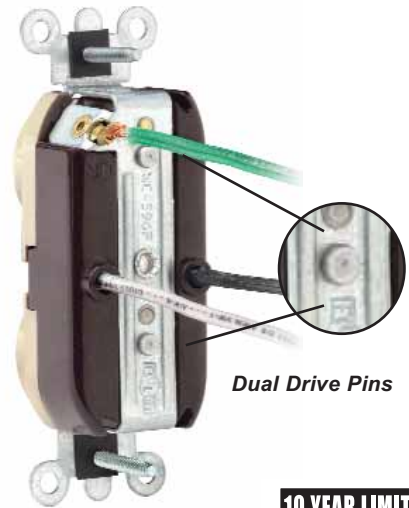
8200-L, 8300-L

SPECIFICATIONS

Straight Blade 15 and 20 Amp 2-pole, 3-wire grounding duplex receptacles shall be Leviton Underwriters Laboratories Listed, UL Federal Specification WC-596, UL 498 HG and CSA Certified with two drive pin assembly and center bushing. Ratings and colors as scheduled on plan.

FEATURES AND BENEFITS

- Constructed with impact-resistant thermoplastic cover and body
- Dual drive pins and center bushing for sturdy assembly
- Large, triple-wipe brass “T” contacts for superior contact pressure, outstanding conductivity
- #12 AWG THHN wire leads, 6" length
- Heavy gauge, locked-in wrap-around mounting strap
- Backed by a Limited 10-Year Warranty



Dual Drive Pins

10 YEAR LIMITED WARRANTY

PERFORMANCE SPECIFICATIONS

Electrical	
Dielectric Voltage Withstand:	2000V minimum
Maximum Working Voltage:	125V as rated
Current Interrupting:	Certified for current interrupting at full-rated current
Temperature Rise:	Maximum 30°C temperature rise at full-rated current after 250 cycles of overload at 200% of rated current
Mechanical	
Lead Identification:	Leads identified in accordance with UL 498 (black, white & green)
Product Identification:	Ratings are a permanent part of device
Environmental	
Flammability:	Rated V2
Operating Temperature:	From -40°C (without impact) to 60°C maximum continuous
Testing and Code Compliance	
The receptacles listed herein meet UL 498 Listing (UL file #E13399), UL Fed. Spec. WC-596 and CSA C22.2 No. 42 Certification (CSA file #152105), and meet Mexican NOM standards. They meet or exceed NEMA WD 1 and 6, and ANSI standards. These receptacles are suitable for use in accordance with federal, state, county, municipal and local codes.	

LevSpec is a trademark of Leviton Manufacturing Co., Inc.

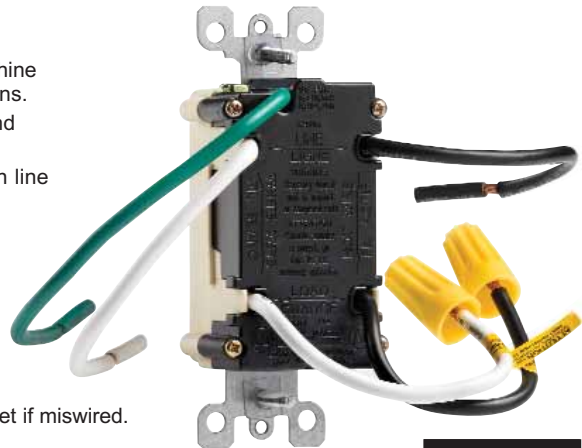
8200-L, 8300-L

SPECIFICATIONS

Straight Blade 15 and 20 Amp, 2-pole, 3-wire grounding GFCI duplex receptacles with lockout and end-of-life indication shall be Leviton Underwriters Laboratories Listed, UL 498 (Receptacles), and CSA Certified. Ratings and colors as scheduled on plan.

FEATURES AND BENEFITS

- Choose from #12 AWG TEW leads or #12 THHN leads. Use TEW for machine tool wiring and THHN for branch circuits in commercial/industrial applications.
- Standard leaded GFCI receptacle includes line & load leads plus a ground wire for broadest installation flexibility.
- For installations without downstream receptacles, simplify installation with line leads only. Choose the 7599L-3 or 7899L-3 configurations.
- Configurations designed for self-grounding MC Cable.
- The SmartLockPRO® receptacle automatically tests the GFCI every time the RESET button is pushed. The GFCI will not reset if the GFCI circuit is not functioning properly.
- Built-in end-of-life indication. If the SmartLockPRO receptacle can no longer provide GFCI protection, it will not reset and no power is supplied to the face or downstream receptacles.
- SmartLockPRO diagnoses line-load reversal upon installation. It will not reset if miswired. Green LED indicator light alerts installer to line-load reversal.
- Trip threshold meets or exceeds UL requirements for tripping time.



2 YEAR LIMITED WARRANTY

ORDERING INFORMATION

Color	15 A Cat. No.	20 A Cat. No.	Wire Type	Line Leads	Load Leads	Grounding Wire	Grounding Clip
IVORY WHITE	7599-LI 7599-LW	7899-LI 7899-LW	#12 AWG TEW, STRANDED 2 - HOT / BLACK 2 - NEUTRAL / WHITE 1 - GROUND / GREEN	4.5 inch	4.5 inch	6 inch	—
IVORY WHITE	7599L-I 7599L-W	7899-LI 7899-LW	#12 AWG THHN, STRANDED 2 - HOT / BLACK 2 - NEUTRAL / WHITE 1 - GROUND / GREEN	6 inch	6 inch	6 inch	—
IVORY WHITE	7599L-3I 7599L-3W	7899L-3I 7899L-3W	#12 AWG THHN, STRANDED 1 - HOT / BLACK 1 - NEUTRAL / WHITE 1 - GROUND / GREEN	6 inch	—	6 inch	—
IVORY WHITE	7599L-UI 7599L-UW	7899L-UI 7899L-UW	#12 AWG THHN, STRANDED 2 - HOT / BLACK 2 - NEUTRAL / WHITE	6 inch	6 inch	—	Brass
IVORY WHITE	7599L-3UI 7599L-3UW	7899L-3UI 7899L-3UW	#12 AWG THHN, STRANDED 2 - HOT / BLACK 2 - NEUTRAL / WHITE	6 inch	—	—	Brass
IVORY WHITE	7599L-SI 7599L-SW	7899L-SI 7899L-SW	#12 AWG THHN, SOLID 2 - HOT/BLACK 2 - NEUTRAL / WHITE 1 - GROUND / GREEN	6 inch	6 inch	6 inch	—
IVORY WHITE	7599L-3SI 7599L-3SW	7899L-3SI 7899L-3SW	#12 AWG THHN, SOLID 2 - HOT / BLACK 2 - NEUTRAL / WHITE 1 - GROUND / GREEN	6 inch	—	6 inch	—

PERFORMANCE SPECIFICATIONS

Electrical	
Dielectric Voltage Withstand:	1500V minimum per UL 498
Maximum Working Voltage:	125V as rated on device
Current Interrupting:	2 kA
AC Horsepower Ratings	1 HP for both receptacle and buttons
Trip Level	5 mA plus or minus 1 mA
Temperature Rise:	Maximum 30°C temperature rise at full-rated current after 150 cycles of overload at 150% rated DC current
Mechanical	
Lead Identification	Leads identified in accordance with UL 498 (black, white, & green)
Product Identification:	Ratings are a permanent part of device
Environmental	
Flammability:	Rated UL 94 V-2
Operating Temperature:	-35°C to 65°C (-31°F to 149°F)
Testing and Code Compliance	
The receptacles listed herein comply with UL 498 Listing (UL file # E13399), CSA C22.2 No. 42 and meet Mexican NOM standards. They meet or exceed NEMA WD 6, and ANSI standard C-73.	

SmartLockPRO is a trademark of Leviton Manufacturing Co., Inc.

Leviton Manufacturing Co, Inc.

59-25 Little Neck Pkwy, Little Neck, NY 11362-2591 Tech Line: 1-800-824-3005 Fax: 1-800-832-9538 www.leviton.com
 © 2008 Leviton Manufacturing Co., Inc. All rights reserved. Subject to change without notice.



Industrial Grade Wire Lead 15 and 20 Ampere

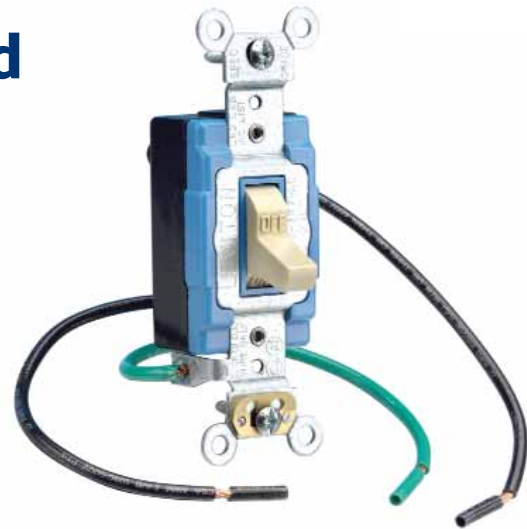
Single-Pole And Three-Way Toggle Switches

Cat. Nos.

1241, 1242, 1243, 1244

Application

In accordance with the NEC, these devices are suitable for use in all 15 and 20 Ampere branch circuits of 120/277 Volts AC in commercial, industrial and institutional installations.



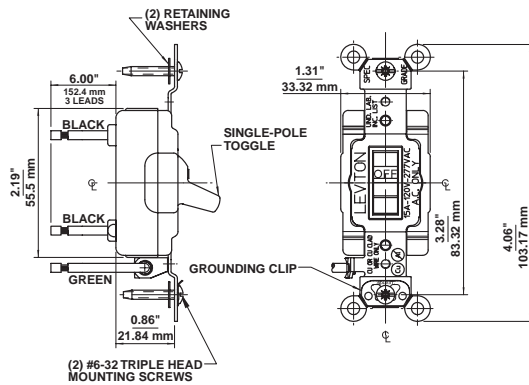
MATERIALS

Component	Material
Cover	Urea
Base	Urea
Mounting Strap	Steel
Toggle	Polycarbonate
Terminal Leads	6", #12 AWG THHN
Grounding Leads	6", #12 AWG THHN
Mounting Screws	Triple combination head, steel

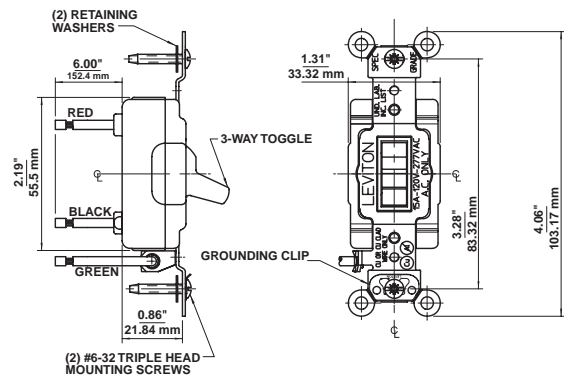
ORDERING INFORMATION

Description	Color	15A 120/277 VAC	20A 120/277 VAC
Single-Pole Wire Lead Toggle Switch	Ivory	1241-I	1243-I
	White	1241-W	1243-W
3-Way Wire Lead Toggle Switch	Ivory	1242-I	1244-I
	White	1242-W	1244-W

Cat. No. 1241 & 1243 Single-Pole Toggle



Cat. No. 1242 & 1244 3-Way Toggle



Leviton Manufacturing Co, Inc.

59-25 Little Neck Pkwy, Little Neck, NY 11362-2591 Tech Line: 1-800-824-3005 Fax: 1-800-832-9538 www.leviton.com
 © 2008 Leviton Manufacturing Co., Inc. All rights reserved. Subject to change without notice.

1241, 1242, 1243, 1244

SPECIFICATIONS

15 Amp and 20 Amp 120/277V AC Single-Pole and Three-Way Toggle Switches shall be Leviton Underwriters Laboratories Listed, and CSA Certified. Ratings and colors as scheduled on plan.

FEATURES AND BENEFITS

- Constructed with an impact-resistant polycarbonate toggle
- Large silver contacts for long life
- #12 AWG THHN wire leads, 6" length
- Heavy gauge steel mounting strap
- Backed by a Limited 10-Year Warranty



10 YEAR LIMITED WARRANTY

PERFORMANCE SPECIFICATIONS

Electrical	
Dielectric Voltage Withstand:	1500V minimum
Maximum Working Voltage:	120/277 VAC as rated
Current Interrupting:	Certified for current interrupting at full-rated current
Temperature Rise:	Maximum 30°C rise
Mechanical	
Product Identification:	Ratings are a permanent part of device
Environmental	
Flammability:	Rated V2
Operating Temperature:	From -40°C (without impact) to 60°C maximum continuous
Testing and Code Compliance	
The switches listed herein are UL Listed to meet UL 20, perform to the standards of Fed. Spec. WS896 and CSA C22.2 No. 111, meet NOM standards and meet or exceed NEMA WD 1 and 6, and ANSI requirements. These switches are suitable for use in accordance with federal, state, county, municipal and local codes.	

1241, 1242, 1243, 1244

Plastic & Nylon Wallplates for Standard Duplex Receptacles				Nylon Wallplates for Decora-style Duplex and GFCI Receptacles	
ITEM	Color	PLASTIC (Standard) Cat. No. Single Gang / 2-Gang	NYLON (Standard) Cat. No. Single Gang / 2-Gang	ITEM	NYLON (Standard) Cat. No. Single Gang / 2-Gang
	Ivory	86003 / 86016	80703-I / 80716-I		80401-N / 80409-NI
	Black	—	80703-E / 80716-E		80401-NE / 80409-NE
	Gray	87003 / 87016	80703-GY / 80716-GY		80401-NGY / 80409-NGY
	White	88003 / 88016	80703-W / 80716-W		80401-NW / 80409-NW
	Brown	85003 / 85016	80703 / 80716		80401-N / 80409-N
	Red	—	80703-R / 80716-R		80401-NR / 80409-NR
	Almond	82003 / 82016	80703-A / 80716-A		80401-NA / 80409-NA
	Light Almond	—	80703-T / 80716-T		80401-NT / 80409-NT
	Blue	—	80703-BU / 80716-BU		80401-NB / 80409-NB

Nylon & Metal Wallplates for Toggle Switches			
ITEM	Color	NYLON (Standard) Cat. No. Single Gang / 2-Gang	METAL (Standard) Cat. No. Single Gang / 2-Gang
	Ivory	80701-I / 80709-I	—
	Black	80701-E / 80709-E	—
	Gray	80701-GY / 80709-GY	—
	White	80701-W / 80709-W	—
	Brown	80701 / 80709	—
	Almond	80701-A / 80709-A	—
	Brushed Stainless	—	84001-40 / 84009-40

Note: Three gang wallplates available. Consult factory or www.leviton.com for details.

Metal Wallplates for Standard Duplex Receptacles			Metal Wallplates for Decora-style Duplex Receptacles and GFCI Receptacles	
ITEM	Color	METAL (Standard) Cat. No. Single Gang / 2-Gang	ITEM	METAL (Standard) Cat. No. Single Gang / 2-Gang
	302 Stainless Steel	84003-40 / 84016-40		84401-40 / 84409-40

Leviton Manufacturing Co, Inc.

59-25 Little Neck Pkwy, Little Neck, NY 11362-2591 Tech Line: 1-800-824-3005 Fax: 1-800-832-9538 www.leviton.com
 © 2008 Leviton Manufacturing Co, Inc. All rights reserved. Subject to change without notice.

Choose From a Full Line of Commercial and Industrial Devices

LOCKING DEVICES & WIRE MANAGEMENT

1. Locking Plugs & Connectors – Black & White™

- 15, 20 & 30 Amp
- 125V thru 600V
- 2-P 3-W thru 4-P 5-W
- 40 NEMA Configurations
- 19 Non-NEMA Configurations
- UL/Fed.Spec./CSA/NOM
- Solid Brass Blades (Locking Plugs)
- One-Piece Brass Contacts (Locking Connectors)
- Nylon Construction



2. V-0-MAX™ Locking Receptacles

- 15, 20 & 30 Amp
- 125V thru 600V
- 2-P 3-W thru 4-P 5-W
- 40 NEMA Configurations
- 19 Non-NEMA Configurations
- UL/Fed.Spec./CSA/NOM
- UL V-0 Flammability Rating
- Color-Coding Indicates Voltage Ratings



3. Flanged Inlets/Outlets

- 15, 20 & 30 Amp
- 125V thru 600V
- 2-P 3-W thru 4-P 5-W
- 40 NEMA Configurations
- 14 Non-NEMA Configurations
- UL/Fed.Spec./CSA/NOM
- Positive Crimp Lock Wire Clamps
- Nylon Construction



4. miniLOCK™ Midget Devices

- 15 Amp
- 125V thru 250V
- 2-P 3-W thru 3-P 3-W
- 3 NEMA Configurations
- UL/Fed.Spec./CSA/NOM
- Nylon Construction
- Plugs, Connectors, Receptacles & Inlets



5. Wire Mesh Grips

- Pulling, Support, & Strain Relief
- Single & Double Eyes
- Flexible, Offset & Rotating Eyes
- Closed, Split Lace, or Split Rod Mesh
- Liquid Tight, Wide Range, Deluxe Grips



WATERTIGHT DEVICES

1. Wetguard® Watertight Devices

- 15, 20 and 30 Amp
- 125V thru 600V
- 2-P 3-W thru 4-P 5-W
- 22 NEMA Configurations
- 4 Non-NEMA Configurations
- UL/Fed. Spec./CSA/NOM
- EPTR Construction
- All Configs Available in High-Visibility Yellow
- Selected Configurations Available in Black



2. Wetguard Watertight Accessories

- Watertight Flip Lids with Lockout/Tagout
- High Visibility Yellow & Black
- SS Hinge & Screws
- Flexible, Watertight Plug Caps
- Reinforced Thermoplastic FD Boxes: 1/2", 3/4", & 1" Knockouts



3. IEC 309 Pin & Sleeve

- 20 to 100 Amp, IP67 Watertight
- Plugs & Connectors
- Receptacles & Inlets
- 20 to 100 Amp Switches
- Mechanical Interlock
- Non-Fused & Fused
- Valox® PBT Back Boxes
- Replacement Components
- UL/CSA



SINGLE POLE / SINGLE PIN DEVICES

1. 15 Series – Taper Nose

- Up to 125 Amp, 600V
- Insulator – Shatterproof and Crack Proof
- Slit and Cam Male Contact Design – Compensates for Wear
- Color-Coded Insulators for Easy Phase Identification
- UL Listed (Set Screw Version Only)



2. 16 & 18 Series – Taper Nose and Ball Nose

- Up to 400 Amp, 600 V
- Insulator – Shatterproof and Crack Proof
- Slit and Cam Male Contact Design – Compensates for Wear
- Color-Coded Insulators for Easy Phase Identification
- UL Listed and CSA Certified (Double Set Screw Version Only)



INDUSTRIAL GRADE SWITCHES

1. Heavy Duty AC Control with Toggle Actuator

- 15, 20 & 30 Amp
- 120/277V AC
- SP, DP 3-Way, 4-Way
- UL/Fed. Spec./CSA
- Single-Piece Integrated Grounding System
- Back or Side Wired Grounding Terminal



2. Key Lock AC Control with Key Lock Actuator

- 20 Amp
- 120/277V AC
- SP, DP 3-Way, 4-Way
- Key Removable in ON or OFF Positions
- UL/CSA/NOM
- Performs to Fed. Spec. Standards



3. Motor Starter Switches - AC Control for Single-Phase or Three-Phase Motor Loads

- 30, 40 & 60 Amp
- 120V AC thru 600V AC
- Max HP Rating: 20HP 600V AC
- Available as Open Switch or with NEMA/Type 1 or 3R Enclosure
- cUL/NOM



3. Safety Disconnect Switches AC Control For Horsepower Rated Motor Loads

- 30, 60 & 100 Amp
- Heavy Duty 600V AC
- Max HP Rating: 50HP 600V AC
- Fused and Non-Fused
- Dust-tight and Watertight
- IP67, IP65, NEMA 3R, 4X, 12K



ENERGY CONSERVATION & COMMUNICATIONS DEVICES

1. Occupancy Sensor AC Control with Automatic Switching

- Incandescent, Low Voltage, Motor Loads
- Fluorescent (Magnetic or Electronic Ballast)
- 120/277V AC • SP, 3-Way
- UL/CSA/NOM
- Decora® Style Wall Switch Design
- Ceiling Mount & High Bay Available
- Available with Title 24 Compliance
- Ultrasonic, PIR, or Multi-Tech



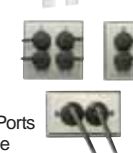
2. Communication Modules 3803 Series

- Hard Wired • CE Approved
- 2 Options for Ground Connection
- For Use on Allen Bradley & 4-20 ma
- Protects Programmable Logic Devices from Surges in Harsh Electromagnetic or Geographic Areas



3. DuraPort™ Industrial Connectivity

- IP67 Watertight Seal
- Outlets, Wallplates, & Patch Cords
- Compatible with QuickPort jacks including 5e+ & 6+
- Captive Dust Cap Protects Unused Ports
- SS Gasketed Watertight Wallplate



STRAIGHT BLADE DEVICES

1. Power Indication Receptacles

- 15-20 Amp Configurations
- 100,000 Hr. Power Status Indicator
- Nickel-Plated Brass Strap with Integral Ground Contacts
- Back & Side Wired Termination
- Hospital Grade with Permanent "Green Dot" Lens



2. Surge Protection Receptacles

- 15-20 Amp Duplex, Single and 4-in-1 Configurations
- UL Listed to 1449 and 498 Standards
- Decora® Style Nylon Face
- Surge with IG Versions
- Protection Indicator Light & Audible Damage Alarm



3. SmartLockPRO® GFCI

- 15-20 Amp Configurations
- Back & Side Wired
- LED Status Indicator
- Meets New UL GFCI Requirements, Effective 2006
- Prevents Reset If Protective Function Is Compromised
- Prevents Reset in Case of Line Load Reverse Wiring



4. DIN Rail Mounted Receptacles

- Surge Protection
- Standard Industrial Grade
- Hospital Grade
- GFCI Receptacle
- 15A, 120V
- Straight Blade
- Duplex Receptacle



5. Python® Industrial/OEM/ Commercial Connections

- Nylon Single-Piece Body
- 15-20 Amp Straight & Angle Versions
- Removable Wide Range Cord Inset
- Enclosed Wiring Module
- Triple-Combo Screws



6. Black & White™ Power Indication Industrial Connections

- Green Light Glows When Energized
- 125V, 250V, & 277V
- 15, 20, 30 Amp Plugs & Connectors
- Super Tough Nylon Body
- Triple-Combo Screws
- Catalog & NEMA Numbers Printed on Cord Clamp



Leviton Manufacturing Co., Inc.

59-25 Little Neck Parkway, Little Neck, NY 11362-2591
 Telephone: 1-800-323-8920 FAX: 1-800-832-9538
 Tech Line (8:30AM-7:30PM E.S.T. Monday-Friday): 1-800-824-3005

Leviton Manufacturing of Canada, Ltd.

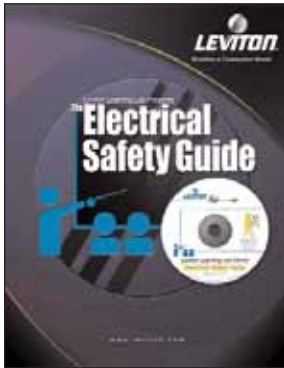
165 Hymus Boulevard, Pointe Claire, Quebec H9R 1E9
 Telephone: 1-800-469-7890 FAX: 1-800-563-1853

Leviton S. de R.L. de C.V.

Lago Tana 43, Mexico DF, Mexico CP 11290
 Telephone: (+52) 55-5082-1040 • www.leviton.com.mx

LEVITON

Visit us on the web at:
www.leviton.com/industrial
 email: industrial@leviton.com



Leviton Safety Seminars

Learn to recognize potential safety hazards BEFORE they become pitfalls!

Request an On-site Safety Learning Lab Seminar.

Learn about:

- Arc Flash and PPE
- OR –
- GFCI Cordsets, Temporary Power Boxes, and Open Neutral Protection



Save Money with a Dollars & Sensors® Energy Savings Audit

Identify your energy savings potential with occupancy sensors.

Leviton's software helps you determine which occupancy sensors should go where in your facility, calculates your potential energy savings, and produces a dollars and cents snapshot of your energy savings and installation ROI.

Schedule a Safety Seminar or Energy Conservation Audit Today!

Email: industrial@leviton.com or

Call: 1-800-345-8903

...WHAT'S NEW...WHAT'S NEW...WHAT'S NEW...WHAT'S NEW...WHAT'S NEW...



Lev-Lok™ Modular Receptacle System Designed with the Busy Contractor in Mind

- Consists of wiring module (locking connector and leads) and rugged duplex receptacle with solid brass locking connection pins
- Lock and latch wiring module simplifies large wiring device jobs while delivering the most secure connection
- Streamlines installation process and reduces installation costs

Simple... Easy... Secure...



Industrial Wiring Devices for the Health Care Industry

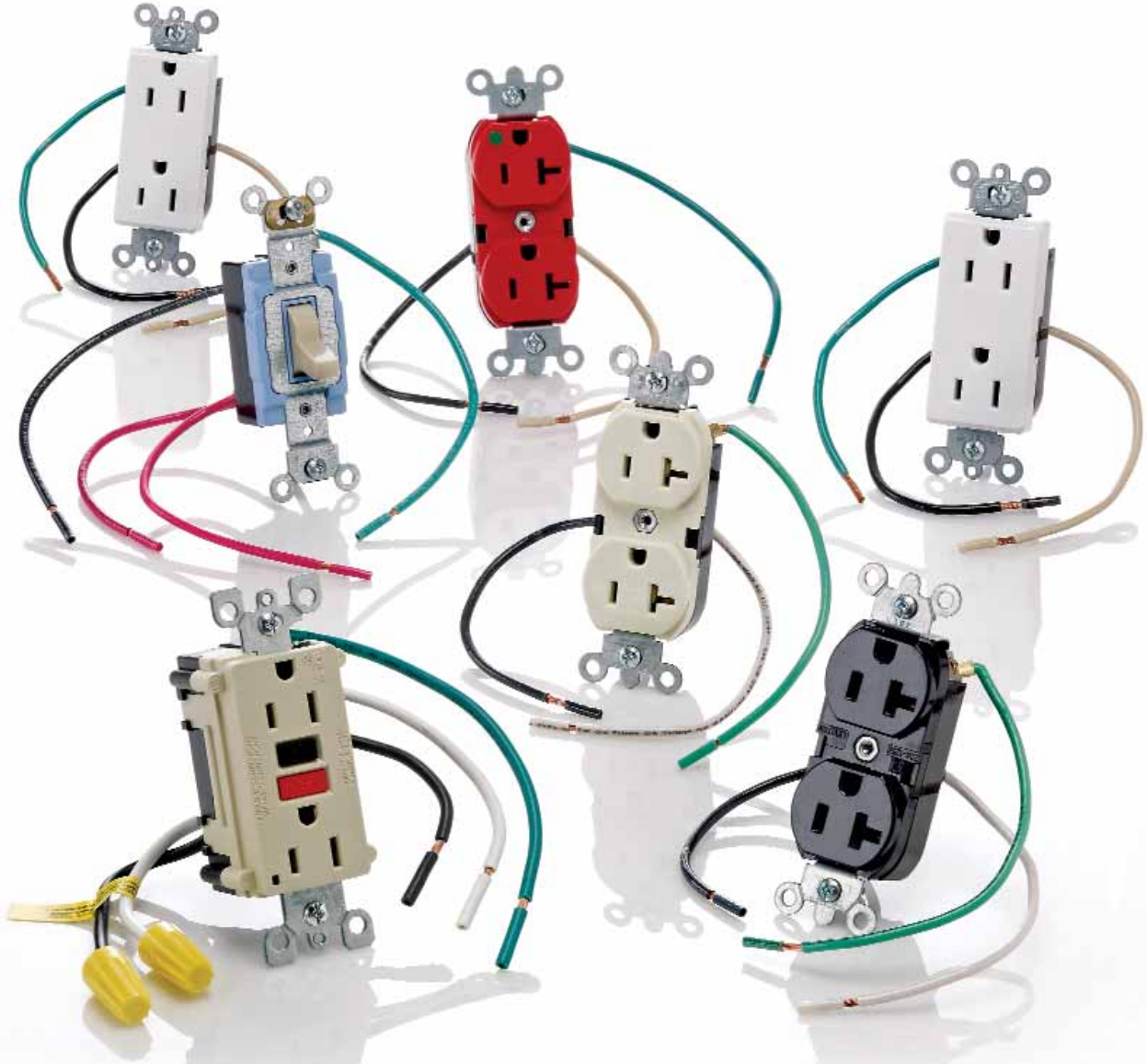
- Hospital Grade Receptacles - Standard, Tamper Resistant, Power Indication, 4-in-1, Isolated Ground, and Surge Protective Styles.
- Hospital Grade Plugs and Connectors - Power Indication, Angled, Python™ Hinged Devices, mini-Lock™ Midget Devices, and Power Interrupting configurations.
- Energy Saving Occupancy Sensors - Switch Mount, Wall Mount, Ceiling Mount, and Night Light combinations.
- Surge Protective Devices - Strips, Receptacles, and Panels for the service entrance.

Dollars & Sensors, Python, Lev-Lok and mini-Lock are trademarks of Leviton Manufacturing Co, Inc.

Leviton Manufacturing Co, Inc.

59-25 Little Neck Pkwy, Little Neck, NY 11362-2591 Tech Line: 1-800-824-3005 Fax: 1-800-832-9538 www.leviton.com

© 2008 Leviton Manufacturing Co., Inc. All rights reserved. Subject to change without notice.



Leviton Manufacturing Co., Inc.

59-25 Little Neck Parkway, Little Neck, NY 11362-2591

Phone: 1-800-323-8920 FAX: 1-800-832-9538 Tech Line (8:30AM-7:30PM E.S.T. Mon-Fri): 1-800-824-3005

Leviton Manufacturing of Canada, Ltd.

165 Hymus Boulevard, Pointe Claire, Quebec H9R 1E9

Phone: 1-800-469-7890 FAX: 1-800-563-1853

Leviton S. de R.L. de C.V.

Lago Tana 43, Mexico DF, Mexico CP 11290

Phone: (+52) 55-5082-1040 • www.leviton.com.mx

Visit us on the web at: www.leviton.com/industrial email: industrial@leviton.com

